

HDR300 Series

MODELS

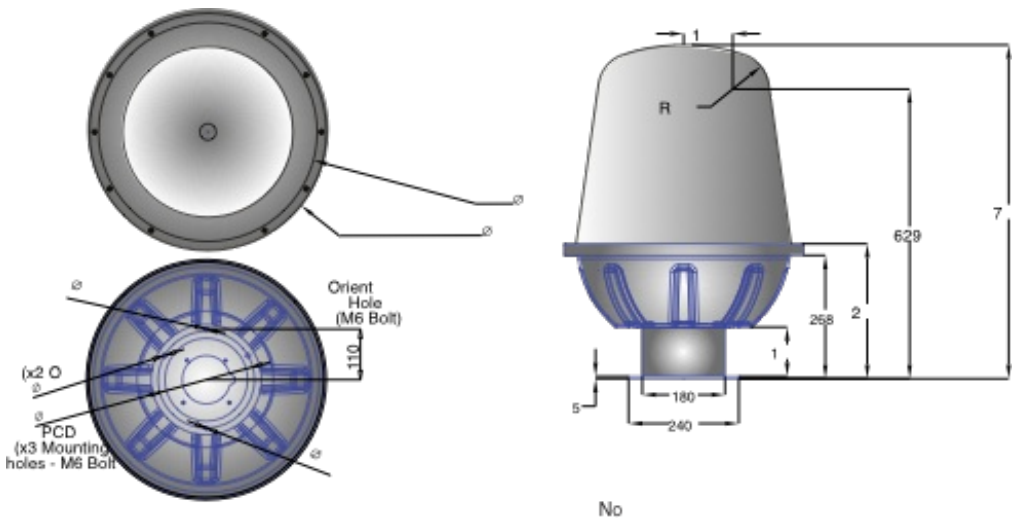
HDR300 Models	Indicative Range	Update Rate
HDR331	3,000 metres	1 Hz
HDR321	2,000 metres	1 Hz
HDR311	1,250 metres	1 Hz

SPECIFICATIONS

Specifications	HDR300 Series
Operating Frequency	76 - 77 GHz
Operating Range	5-2000m Person 5-3000m Vehicle
Range Resolution	HDR311, HDR321: 0.155m HDR331: 0.23m
Azimuth Beamwidth	0.9°
Elevation Beamwidth	3°
Infill Elevation Beam	Optional
Measurement Rate	800 per rotation
Field of View	360°
Update Rate (Rotation Speed)	1s (1Hz)
Data Connection	1 Gbps Ethernet

Specifications	HDR300 Series
Power Consumption	36 Watts
Power Supply	24 Volts DC
Weight	22 Kg
Mounting Height	HDR311: 4-6m, HDR321 and HDR331: 6-8m
Safe Working Distance (from radome)	0.1m
False Alarm Rate	≤ 1 per Radar per 24h
Operating Temperature	-20°C to + 60°C
Custom Finish Options	Optional
Environmental	IP 67
Compliance	CE Marked
EMC Directive	2014/30/EU
Low Voltage Directive	2014/35/EU
Radio Equipment Directive	2014/53/EU

DIMENSIONS



Navtech Radar

Home Farm, Ardington, Wantage, Oxfordshire, OX12 8PD, UK.

sales@navtechradar.com

+44 (0)1235 832 419

